

SUPER BRIGHT LED NUMERIC DISPLAY

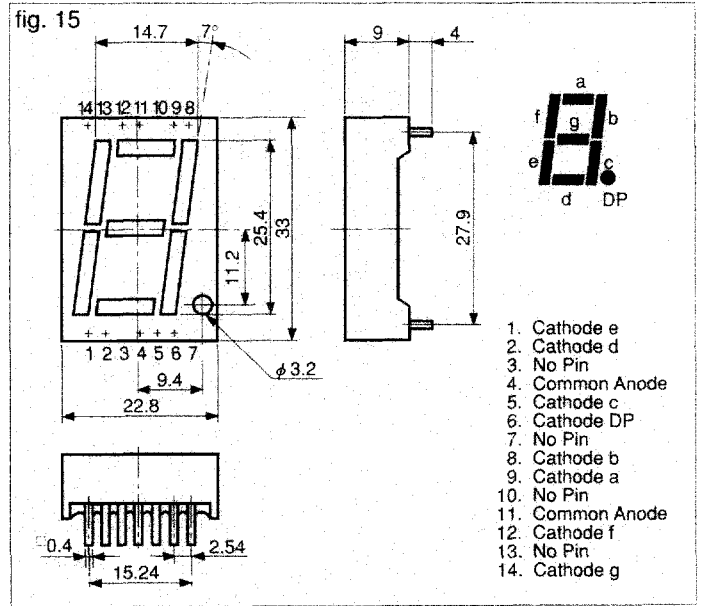
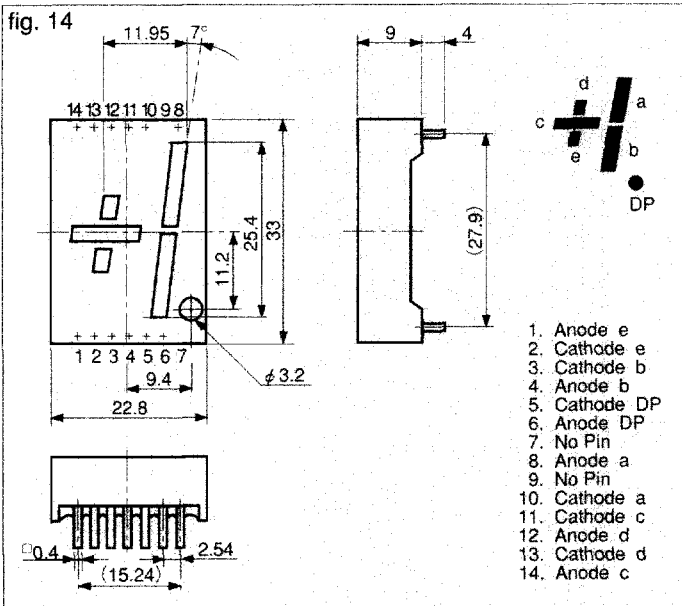
▼25mm TYPE

Ta=25°C

Case Size (W×H)	Shape	Type No.		Emitting Color	Luminous Intensity Iv						If
		Anode Common	Cathode Common		Rank A		Rank B		Rank C		
					MIN	TYP	MIN	TYP	MIN	TYP	
22.8 × 33.0	Square shape type	NSR101/103		Red	5	10	10	20	20	25	20
		NSG101/103		Pure Green	2	4	4	8	—	—	20
		NSG101P/103P		Green	2	4	4	8	—	—	20
		NSY101/103		Yellow	3	6	6	12	—	—	20
		NSA101/103		Orange	4	8	8	16	—	—	20
22.8 × 33.0	Square shape type	NAR101/103	NKR101/103	Red	5	10	10	20	20	25	20
		NAG101/103	NKG101/103	Pure Green	2	4	4	8	—	—	20
		NAG101P/103P	NKG101P/103P	Green	2	4	4	8	—	—	20
		NAY101/103	NKY101/103	Yellow	3	6	6	12	—	—	20
		NAA101/103	NKA101/103	Orange	4	8	8	16	—	—	20
22.8 × 33.0	Arrow feather type	NAR105/107	NKR105/107	Red	5	10	10	20	20	25	20
		NAG105/107	NKG105/107	Pure Green	2	4	4	8	—	—	20
		NAG105P/107P	NKG105P/107P	Green	2	4	4	8	—	—	20
		NAY105/107	NKY105/107	Yellow	3	6	6 </td <td>12</td> <td>—</td> <td>—</td> <td>20</td>	12	—	—	20
		NAA105/107	NKA105/107	Orange	4	8	8	16	—	—	20

▼DIMENSIONS Unit : mm

Tolerance: ±0.25 mm



● Common cathode types shown in fig 14 and 15 have a reverse polarity.

